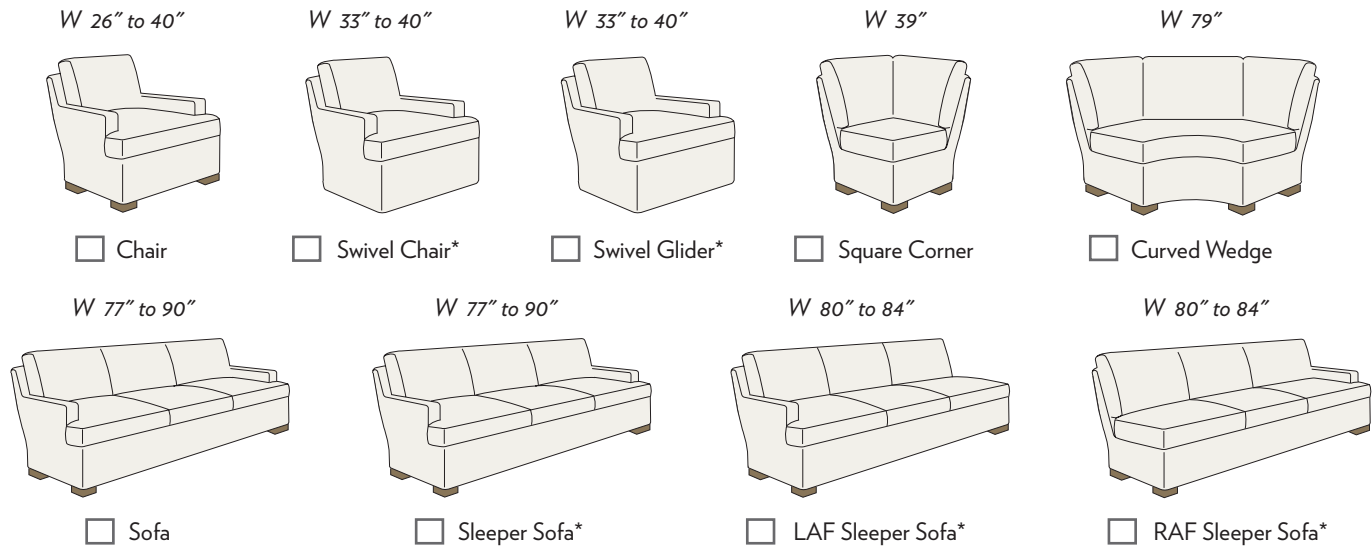


1

Silhouette

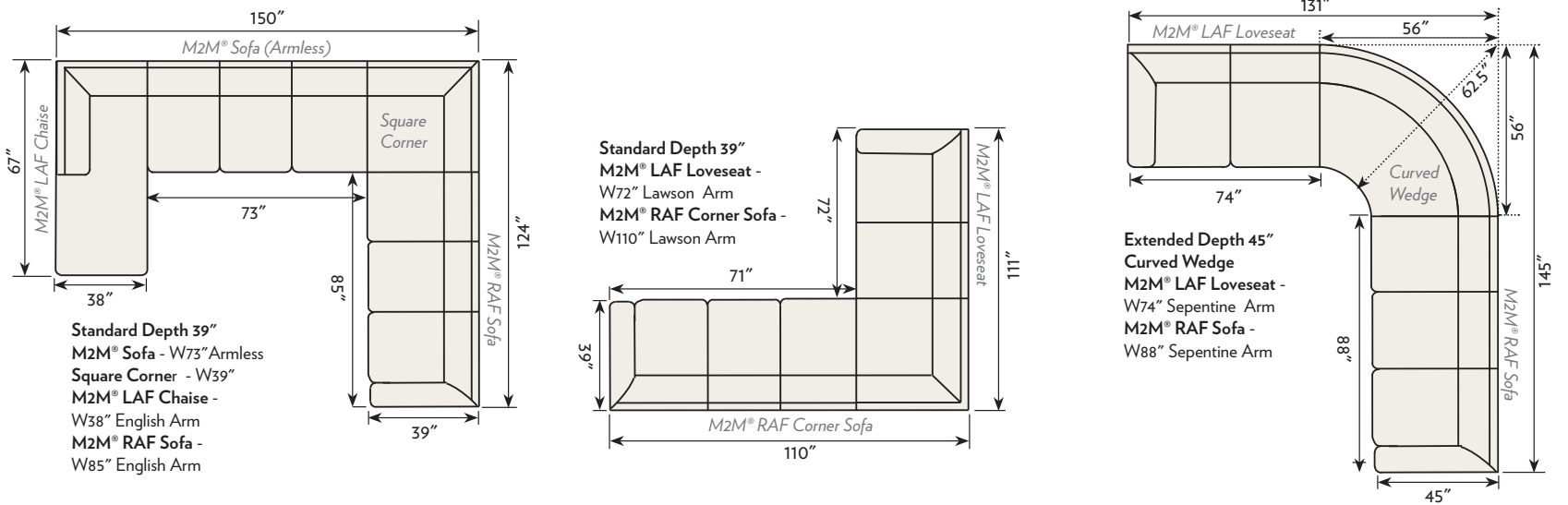
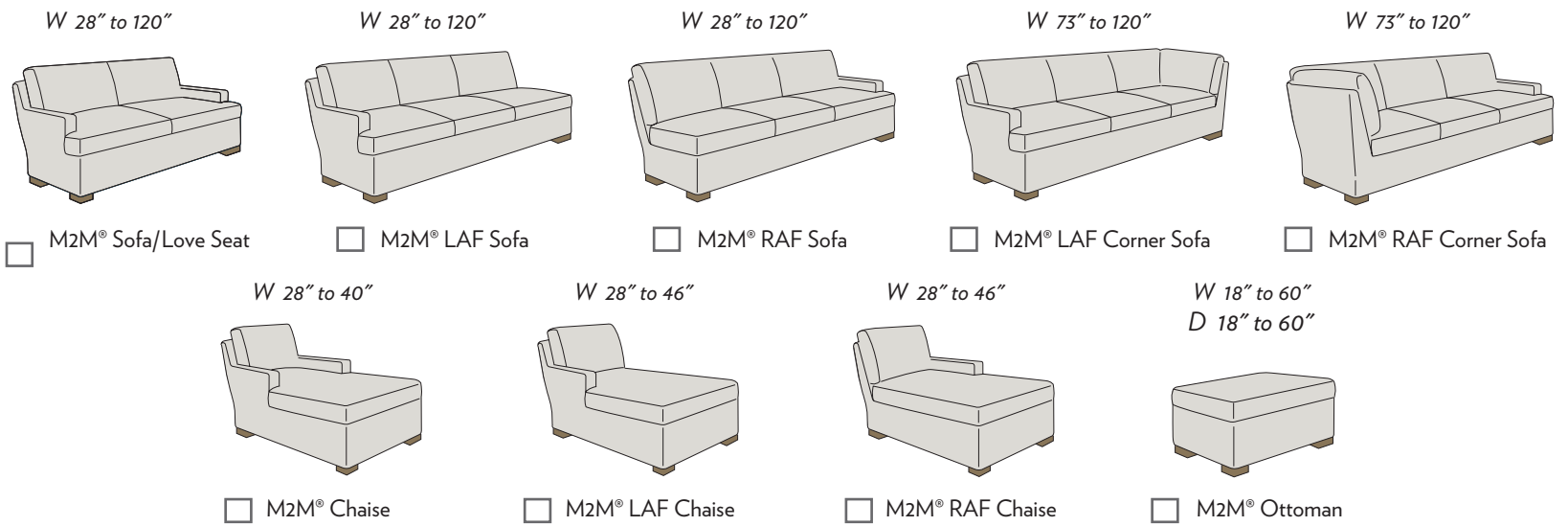
Choose Your Silhouette. The arm style dictates the width on Non-M2M® styles. Refer to the price list for the exact width.

Overall Width Range:



*The 19.75" seat height is not available on Swivel or Glider Swivel Chairs, or any version of the Sleeper Sofas.

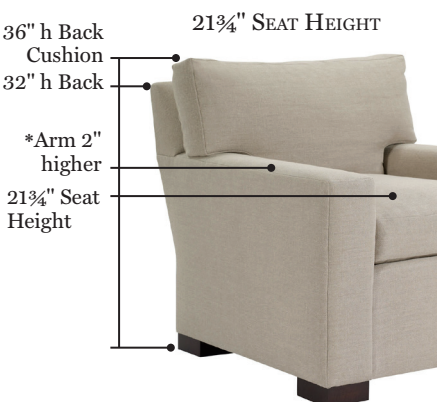
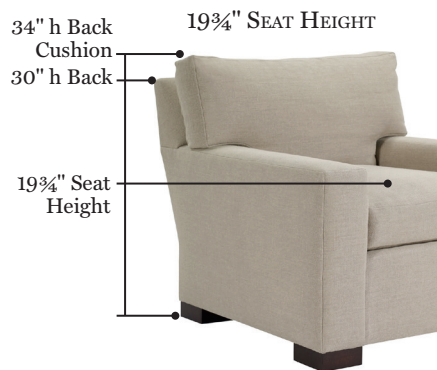
M2M® (With made to measure, overall width matching arm choice will be produced)



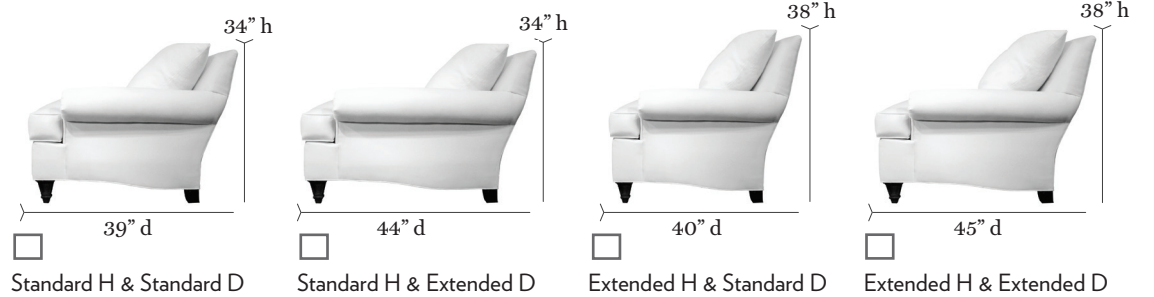
2

Height and Depth

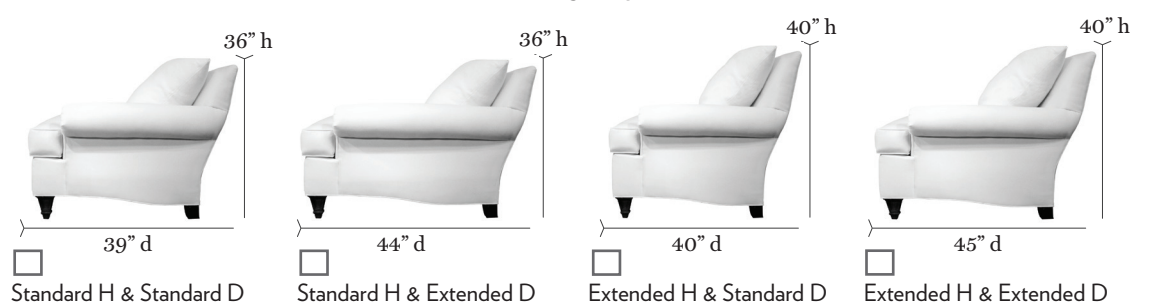
Choose Your Height and Depth.



19.75" Seat Height Option:
(MOST POPULAR)



21.75" Seat Height Option:














*The overall arm height will be 2" higher when selecting the 21 3/4" seat height option.
The 19.75" seat height is not available on Swivel or Glider Swivel Chairs, or any version of the Sleeper Sofas.

3
Arm




Choose Your Arm. A choice of Square or T Cushion is available on most styles. **Must Specify.**

Arm Width:

- | | | | | | |
|--|--|--|---|---|--|
| 
<input type="checkbox"/> Armless
(SQ cushion only) | 
6" Arm
<input type="checkbox"/> English
<i>(Available in SQ or T cushion)</i> | 
7.5" Arm
<input type="checkbox"/> Lawson
<i>(Available in SQ or T cushion)</i> | 
7.5" Arm
<input type="checkbox"/> Sock Lawson
<i>(Available in SQ or T cushion)</i> | 
7.5" Arm
<input type="checkbox"/> Pleated Lawson
<i>(Available in SQ or T cushion)</i> | 
7.5" Arm
<input type="checkbox"/> Lawson w/ Raised Panel
(SQ cushion only) |
| 
7.5" Arm
<input type="checkbox"/> Serpentine
(SQ cushion only) | 
7.75" Arm
<input type="checkbox"/> Slope w/ Panel
(SQ cushion only) | 
3.5" Arm
<input type="checkbox"/> Narrow Square
<i>(Available in SQ or T cushion)</i> | 
4.75" Arm
<input type="checkbox"/> Medium Square
<i>(Available in SQ or T cushion)</i> | 
5.75" Arm
<input type="checkbox"/> Wide Square
<i>(Available in SQ or T cushion)</i> | |

4
Back

Choose Your Back.

- | | | |
|---|---|---|
| 
<input type="checkbox"/> Knife Edge Back | 
<input type="checkbox"/> Box Edge Back | 
<input type="checkbox"/> Tight Back |
|---|---|---|

5
Base














Choose Your Base.

- | | | | |
|---|---|---|--|
| 
Straight Rail
<input type="checkbox"/> Exposed Leg (Front & Back) | 
Serpentine Rail
<input type="checkbox"/> Exposed Leg (Front & Back) | 
<input type="checkbox"/> *Kick Pleat | 
<input type="checkbox"/> Dressmaker |
|---|---|---|--|

*Eight optional skirts available on standard Kick Pleat Skirts (up to 9") at No Additional Cost
See Skirt Options Section in the Hickory Chair Price List for additional information.

6
Leg

Choose Your Leg.

- | | | | | | | | | |
|---|---|---|---|--|--|--|---|---|
| Front & Back
Straight Rail | 
2.75" 2"
<input type="checkbox"/> 201
Species: Maple | 
4.5" 2"
<input type="checkbox"/> 202
Species: Maple | 
5.25" 2"
<input type="checkbox"/> 203
Species: Maple | 
2.75" 3"
<input type="checkbox"/> 310
Species: Maple | 
2.5" 4"
<input type="checkbox"/> 410
Species: Maple | 
2.5" 4"
<input type="checkbox"/> 411
Species: Maple | 
3.75" 4"
<input type="checkbox"/> 412
Species: Maple | 
3.75" 4"
<input type="checkbox"/> 413
Species: Maple |
| Front Only
Serpentine Rail | 
3" 5"
<input type="checkbox"/> 510
Species: Maple | 
3.75" 5"
<input type="checkbox"/> 511
Species: Maple | 
3.75" 5"
<input type="checkbox"/> 512
Species: Maple | 
2.75" 5"
<input type="checkbox"/> 530
Species: Maple | Standard Back
Leg Post | 
2.25" 3"
Species: Maple | | |



Proudly Made in North Carolina